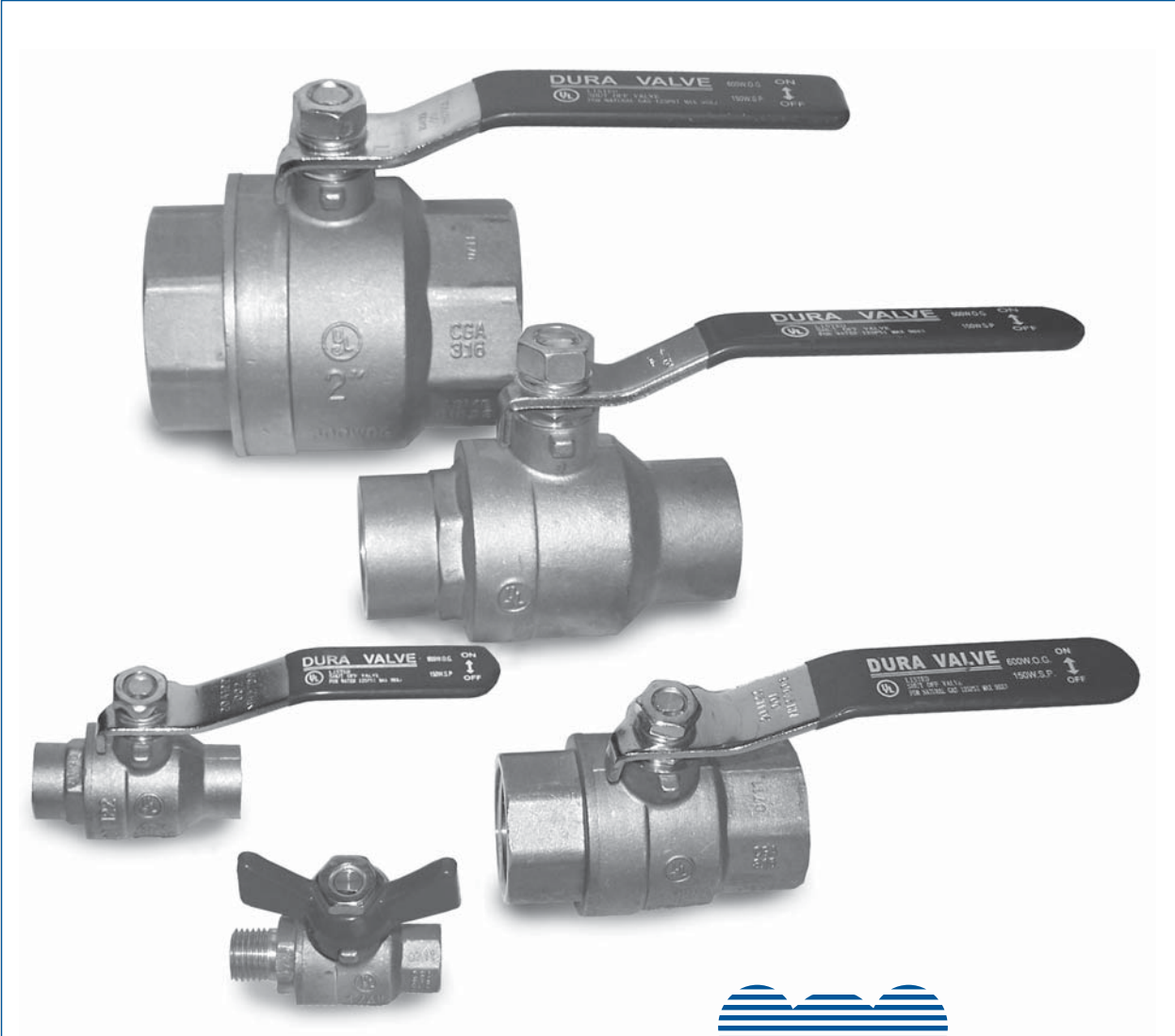


DURAVALVE

WF6000 SERIES

FULL PORT BRASS BALL VALVES



DURAVALVE MODEL WFB6000 BALL VALVE

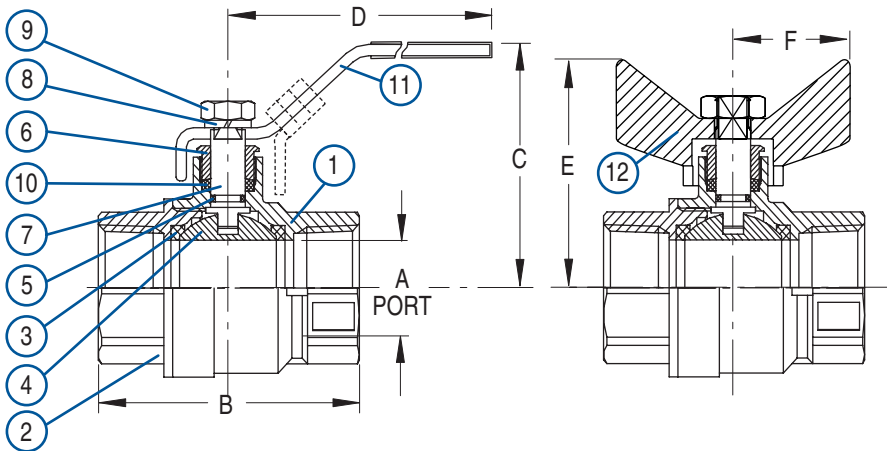
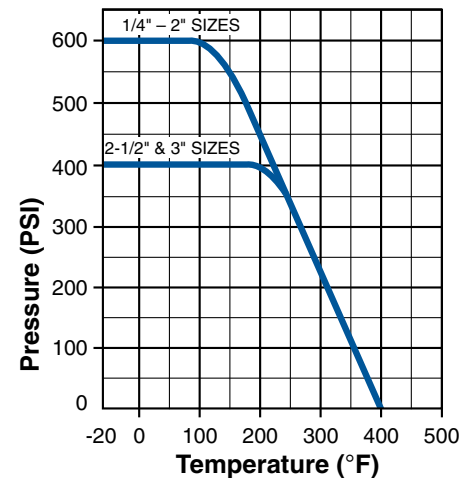
FULL PORT BRASS - NPT THREADED ENDS



FEATURES AND SPECIFICATIONS

- Full Port Forged Brass
- 1/4" to 3" Sizes
- Pressure Rating:
(Cold- Non Shock)
1/4" — 2" 600 PSI WOG
2-1/2" — 3" 400 PSI WOG
(Saturated Steam)
1/4" — 2" 150 PSI
2-1/2" — 3" 125 PSI
- Two-Piece Body
- 1/4 Turn Open or Close
- Internal Entry Anti Blow-Out Stem
- Teflon Seats and Seals
- Adjustable Stem Packing Gland
- Hard Chromium Plated Solid Ball
- Threaded Ends to ANSI B2.1
- Conforms to Federal Spec WWV-35B

PRESSURE/TEMPERATURE CURVE



MATERIALS OF CONSTRUCTION

Item	Description	Material
1.	Body	Brass C37700
2.	Cap	Brass C37700
3.	Seat	Teflon
4.	Chrome Plated Ball	Brass C37700
5.	O-ring	BUNA-N
6.	Packing Nut	Brass C37700
7.	Stem	Brass C37700
8.	Lockwasher	Stainless Steel
9.	Handle Nut	Steel-Chrome Plated
10.	Stem Packing	Teflon
11.	Handle w/Vinyl Sleeve	Carbon Steel-Zinc Plated
12.	T-Handle	Aluminum

DIMENSIONS IN INCHES

Valve Size	Part Number			A	B	C	D	E	F	Cv*	Wt Lbs.
	w/ Std. Handle	w/ T Handle	w/ Lock Handle								
1/4	63500A	63500AT	63500AL	.393	1.73	1.67	3.55	1.75	1.00	7.5	.18
3/8	63500B	63500BT	63500BL	.393	1.75	1.67	3.55	1.75	1.00	7.5	.22
1/2	63500C	63500CT	63500CL	.551	2.28	1.81	3.55	1.75	1.00	16	.46
3/4	63500D	63500DT	63500DL	.748	2.44	2.01	4.50	2.00	1.25	43	.76
1	63500E	63500ET	63500EL	.944	2.97	2.21	4.50	2.00	1.25	58	1.12
1-1/4	63500F	—	—	1.181	3.43	2.52	5.74	—	—	105	1.74
1-1/2	63500G	—	—	1.496	3.86	2.80	5.74	—	—	160	2.32
2	63500H	—	—	1.850	4.29	3.11	5.74	—	—	325	3.30
2-1/2	63500J	—	—	2.44	5.44	4.29	8.25	—	—	475	7.54
3	63500K	—	—	2.99	6.42	4.84	8.75	—	—	780	11.14

*Cv = Gallons of water per minute through the valve with a 1 psi pressure drop.



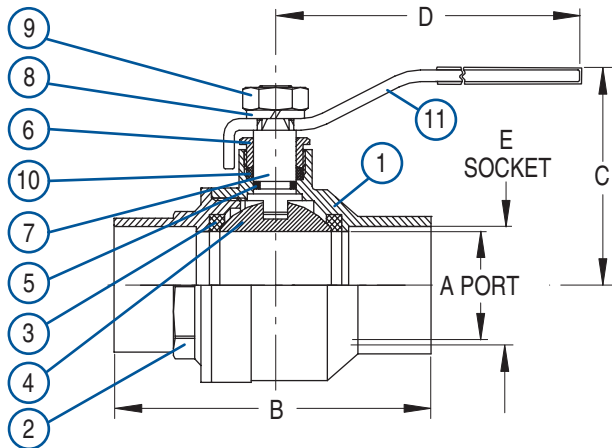
DURAVALVE MODEL WFS6000 BALL VALVE

FULL PORT BRASS - SOLDER ENDS

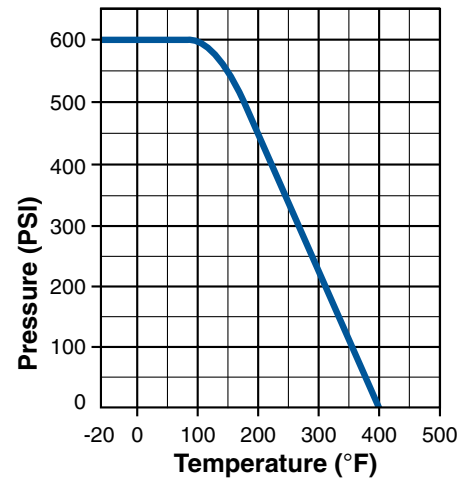


FEATURES AND SPECIFICATIONS

- Full Port Forged Brass
- 1/2" to 2" Sizes
- Pressure Rating:
(Cold- Non Shock)
600 PSI WOG
(Saturated Steam)
150 PSI
- Two-Piece Body
- 1/4 Turn Open or Close
- Internal Entry Anti Blow-Out Stem
- Teflon Seats and Seals
- Adjustable Stem Packing Gland
- Hard Chromium Plated Solid Ball
- Conforms to Federal Spec WWV-35B



PRESSURE/TEMPERATURE CURVE



MATERIALS OF CONSTRUCTION

Item	Description	Material
1.	Body	Brass C37700
2.	Cap	Brass C37700
3.	Seat	Teflon
4.	Chrome Plated Ball	Brass C37700
5.	O-ring	BUNA-N
6.	Packing Nut	Brass C37700
7.	Stem	Brass C37700
8.	Lockwasher	Stainless Steel
9.	Handle Nut	Steel-Chrome Plated
10.	Stem Packing	Teflon
11.	Handle w/Vinyl Sleeve	Carbon Steel-Zinc Plated

DIMENSIONS IN INCHES

Valve Size	Part Number	A	B	C	D	E	C _v *	Wt Lbs.
1/2	73500C	.551	2.17	1.81	3.55	.626	16	.41
3/4	73500D	.748	2.78	2.36	4.50	.878	43	.70
1	73500E	.944	3.23	2.52	4.50	1.130	58	1.04
1-1/4	73500F	1.181	4.10	2.52	5.74	1.378	105	1.81
1-1/2	73500G	1.496	4.33	2.72	5.74	1.630	160	2.48
2	73500H	1.850	5.29	3.03	5.74	2.126	325	3.70

*C_v = Gallons of water per minute through the valve with a 1 psi pressure drop.



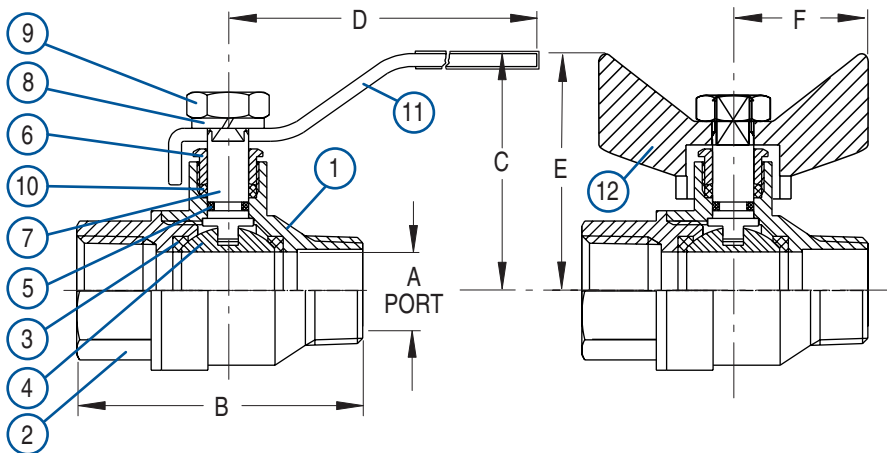
DURAVALVE MODEL WFM6000 BALL VALVE

FULL PORT BRASS - MALE X FEMALE NPT THREADED ENDS

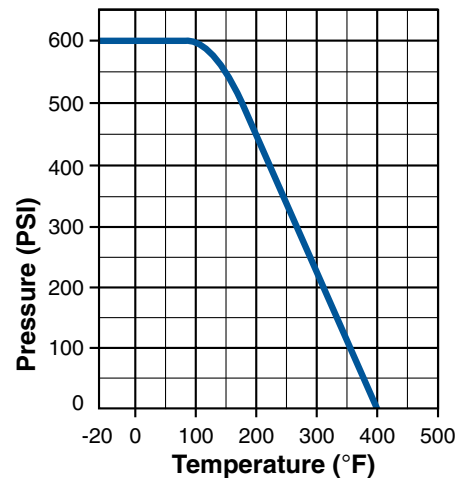


FEATURES AND SPECIFICATIONS

- Full Port Forged Brass
- 1/4" to 1" Sizes
- Pressure Rating:
(Cold- Non Shock)
600 PSI WOG
(Saturated Steam)
150 PSI
- Two-Piece Body
- 1/4 Turn Open or Close
- Internal Entry Anti Blow-Out Stem
- Teflon Seats and Seals
- Adjustable Stem Packing Gland
- Hard Chromium Plated Solid Ball
- Threaded Ends to ANSI B2.1
- Conforms to Federal Spec WWV-35B



PRESSURE/TEMPERATURE CURVE



MATERIALS OF CONSTRUCTION

Item	Description	Material
1.	Body	Brass C37700
2.	Cap	Brass C37700
3.	Seat	Teflon
4.	Chrome Plated Ball	Brass C37700
5.	O-ring	BUNA-N
6.	Packing Nut	Brass C37700
7.	Stem	Brass C37700
8.	Lockwasher	Stainless Steel
9.	Handle Nut	Steel-Chrome Plated
10.	Stem Packing	Teflon
11.	Handle w/Vinyl Sleeve	Carbon Steel-Zinc Plated
12.	T-Handle	Aluminum

DIMENSIONS IN INCHES

Valve Size	Part Number		A	B	C	D	E	F	Cv*	Wt Lbs.
	w/ Std Handle	w/ T Handle								
1/4	63510A	63510AT	.393	2.02	1.67	3.55	1.75	1.00	7.5	.18
3/8	63510B	63510BT	.393	2.13	1.67	3.55	1.75	1.00	7.5	.22
1/2	63510C	63510CT	.551	2.19	1.81	3.55	1.75	1.00	16	.46
3/4	63510D	63510DT	.748	2.64	2.01	4.50	2.00	1.25	43	.76
1	63510E	63510ET	.944	3.13	2.21	4.50	2.00	1.25	58	1.12

*Cv = Gallons of water per minute through the valve with a 1 psi pressure drop.

Note: The right is reserved to change or modify product design or construction without prior notice and without incurring any obligation to make such changes or modifications on products previously or subsequently sold.

