

# DURAVALVE MODEL V3000 BALL VALVE

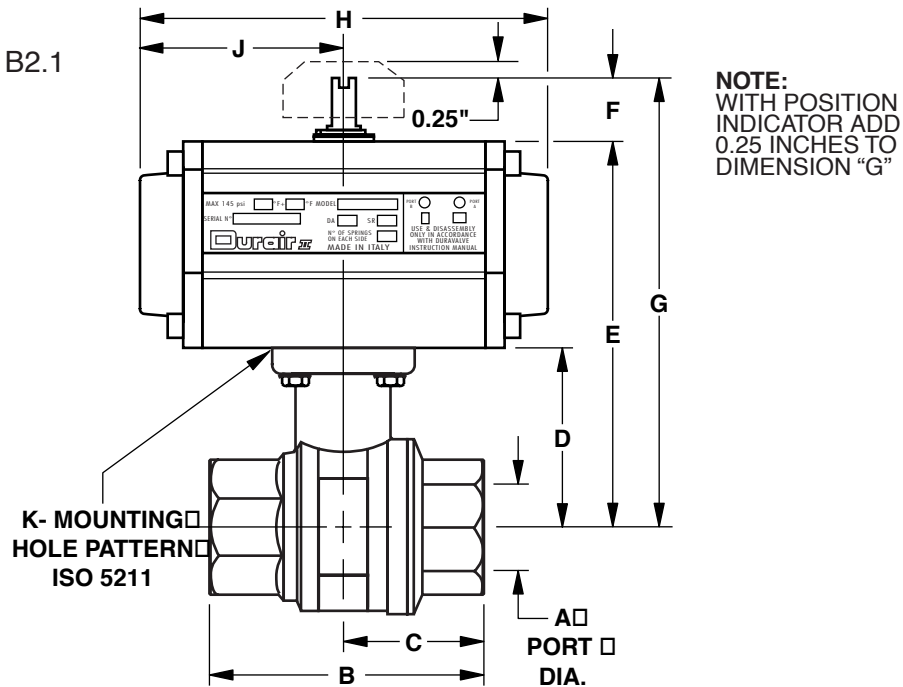
## with DurAir II Pneumatic Actuator

### VALVE FEATURES

- ISO 5211 Mounting
- Internal Entry Anti-Blowout Stem
- Triple Stem Seal Design
- Meets WW-V-35 Design Specifications
- Forged Brass Body and End
- Full Port Design
- Threaded Ends to ANSI B2.1
- Optional Stainless Steel Ball and Stem

### ACTUATOR FEATURES

- ISO 5211 Mounting
- Aluminum Body
- Rack & Pinion Double Acting and Spring Return
- Low Friction Bearings and High Cycle Life
- Optional ENP (electroless nickel plated finish)



### DOUBLE ACTING (Dimensions in inches)

Valve Size	Assembly No w/Brass Trim	Assembly No. w/SS Trim	Actuator Model No.	A	B	C	D	E	F	G	H	J	K
1/2	AS1000	AS2000	APO32	.59	2-1/2	1-1/4	1-3/8	3-3/16	13/16	4	3-11/16	1-27/32	F03
3/4	AS1001B	AS2001B	APO32	.78	2-15/16	1-15/32	1-13/16	4-7/16	13/16	5-1/4	5-7/16	2-23/32	F04
1	AS1002	AS2002	APO50	.98	3-1/2	1-3/4	2	4-5/8	13/16	5-7/16	5-7/16	2-23/32	F04
1-1/4	AS1003	AS2003	APO63	1.25	4	2	2-1/2	5-3/4	13/16	6-9/16	6	3	F05
1-1/2	AS1004B	AS2004B	APO63	1.57	4-1/2	2-1/4	2-3/4	6	13/16	6-13/16	7-7/8	3-15/16	F07
2	AS1005	AS2005	APO75	1.96	5-1/8	2-9/16	3-5/16	6-9/16	13/16	7-3/8	7-7/8	3-15/16	F07

### SPRING RETURN (Dimensions in inches)

Valve Size	Assembly No w/Brass Trim	Assembly No. w/SS Trim	Actuator Model No.	A	B	C	D	E	F	G	H	J	K
1/2	AS1010	AS2010	APO50	.59	2-1/2	1-1/4	1-3/8	4	13/16	4-13/16	5-7/16	2-23/32	F04
3/4	AS1011	AS2011	APO50	.78	2-15/16	1-15/32	1-13/16	4-7/16	13/16	5-1/4	5-7/16	2-23/32	F04
1	AS1012B	AS2012B	APO50	.98	3-1/2	1-3/4	2	5-1/4	13/16	6-1/16	6	3	F04
1-1/4	AS1013B	AS2013B	APO63	1.25	4	2	2-1/2	6-7/16	13/16	7-1/4	7-7/8	3-15/16	F05
1-1/2	AS1014B	AS2014B	APO75	1.57	4-1/2	2-1/4	2-3/4	7-1/8	13/16	7-15/16	9-1/16	4-17/32	F05
2	AS1015B	AS2015B	AP085	1.96	5-1/8	2-9/16	3-5/16	8-1/4	13/16	9-1/16	10-3/4	5-3/8	F07

