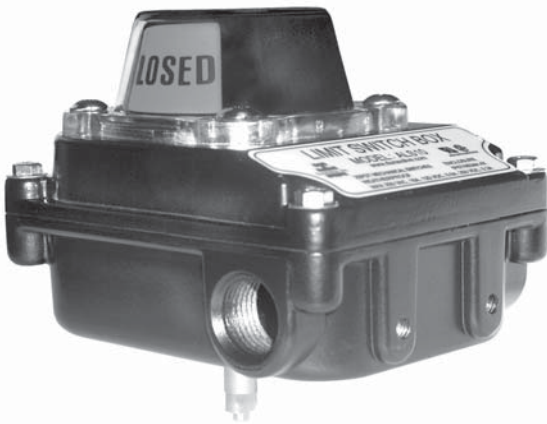


DURAVALVE ALS SERIES

LIMIT SWITCH BOX



ALS 10 - Weather Proof



ALS 30 - Explosion Proof

FEATURES

- **Valve Position Indicator:**
Strong clear polycarbonate dome visually displays the valve position open or closed.
- **Quick-Set Cams:**
Switch cam position can be quickly adjusted without the need for tools.
- **Multipoint Terminal Block:**
Terminal strip has 8 pre-wired and numbered contacts for clear and easy installation.
- **Micro Switches:**
Type – Mechanical – (2) SPDT
Voltage – MAX 250V AC or DC
Current – 0.6A 125V DC or 16A 1/2HP 125, 250V AC
- **Dual Wire Potting:**
ALS 10 – Dual 1/2" conduit entries
ALS 30 – Dual 3/4" conduit entries
- **Captive Cover Bolts:**
No loose bolts when cover is open for installation or maintenance.
- **Easy Mounting:**
To NAMUR standards.

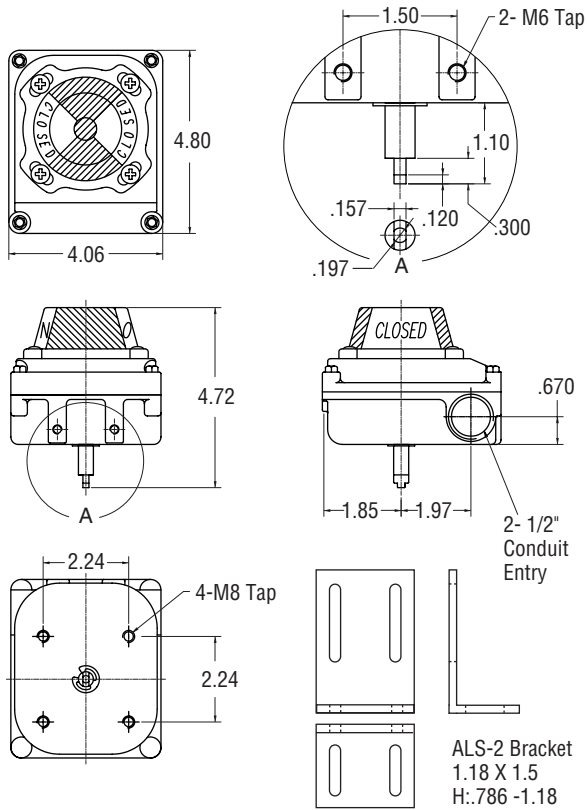
MATERIALS OF CONSTRUCTION

| Description | Material | Quantity |
|--------------------------|---------------------|----------|
| Outer Position Indicator | Polycarbonate | 1 |
| Inner Position Indicator | Polycarbonate | 1 |
| Housing | Die-Cast Aluminum | 2 |
| Shaft (stem) | 304 Stainless Steel | 1 |
| Micro Switch | Polycarbonate | 2 |
| Insert | Bronze | 2 |
| O-Ring | Nitrile (Rubber) | 4 |
| Cam (open/close) | Polycarbonate | 2 |
| Spring | 304 Stainless Steel | 1 |
| Cover Screw | 304 Stainless Steel | 4 |
| Terminal Block | Polyethylene | 1 |
| Mounting Bracket | Steel | 1 |

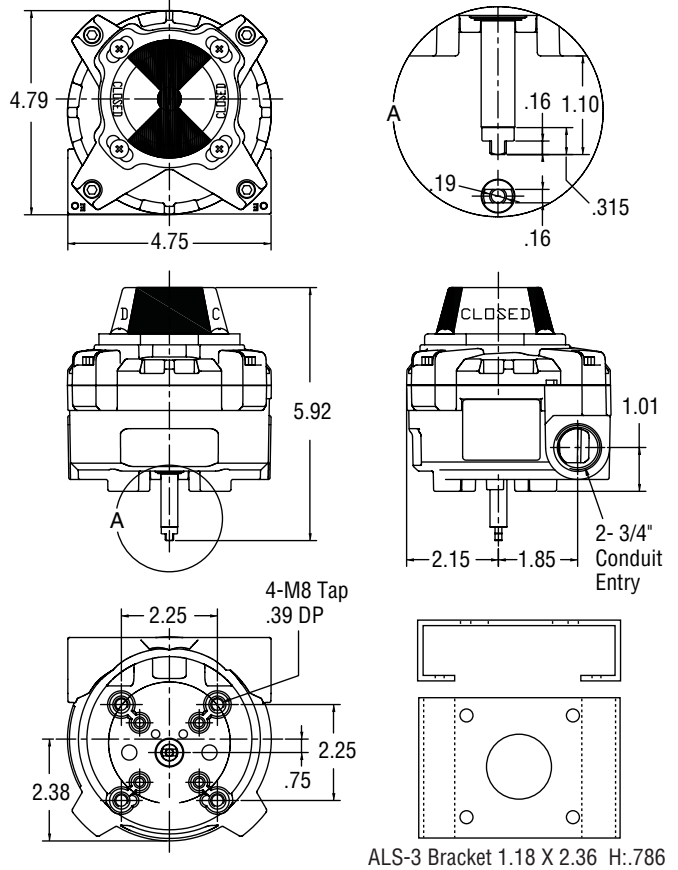
DURAVALVE ALS LIMIT SWITCHES

Dimensional Drawings

ALS 10 – Weather Proof

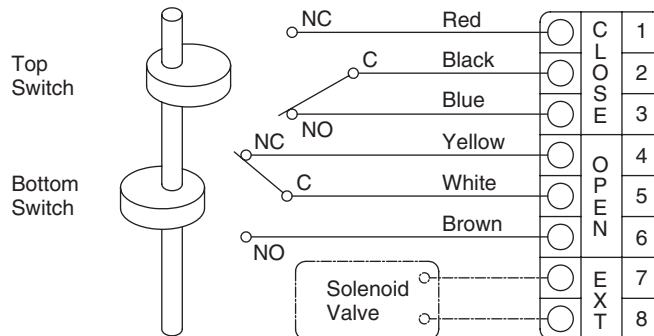


ALS 30 – Explosion Proof



Note: All dimensions in inches unless otherwise specified.

Wiring Diagram – MECHANICAL SWITCH (2 SPDT)



Note: The right is reserved to change or modify product design or construction without prior notice and without incurring any obligation to make such changes or modifications on products previously or subsequently sold.

LIMIT 1-07



Phone: 847-616-0430
Toll Free: 800-776-1260
FAX: 847-616-0432
www.duravalve.com