

DURAVALVE MODEL DM 340 BALL VALVE

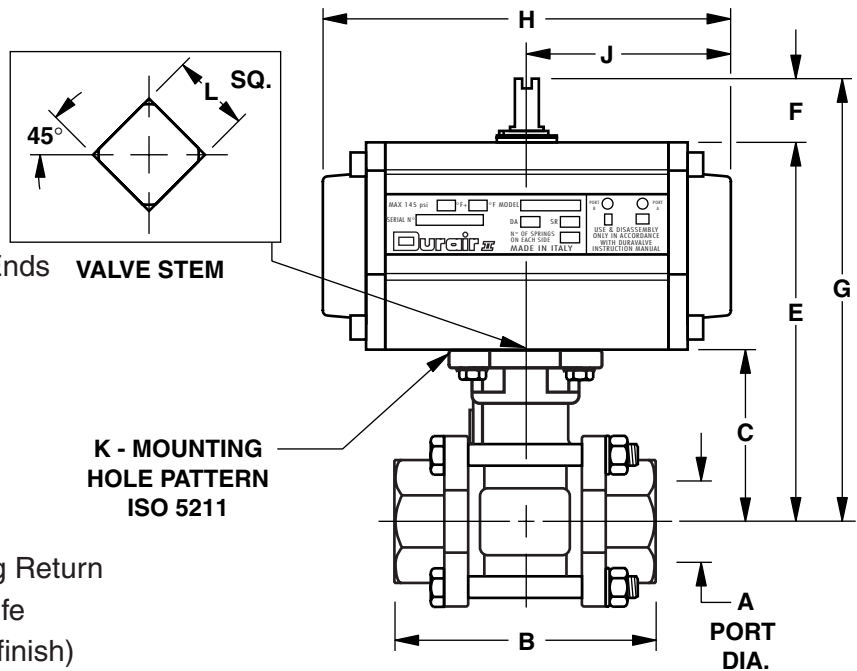
with DurAir II Pneumatic Actuator

VALVE FEATURES

- Internal Entry Anti-Blowout Stem
- Adjustable Vee Style Stem Packing
- In-Line Maintainable
- Stainless Steel Cast Body and Ends
- Threaded to ANSI B2.1 or Socketweld Ends
- Meets WW-V-35 Design Specifications
- ISO 5211 Direct Mounting Pad

ACTUATOR FEATURES

- ISO 5211 Mounting Pattern
- Aluminum Body
- Rack & Pinion Double Acting and Spring Return
- Low Friction Bearings and High Cycle Life
- Optional ENP (electroless nickel plated finish)



DOUBLE ACTING (Dimensions in inches)

Valve Size	Assembly No w/Thread. Ends	Assembly No. w/SW Ends	Actuator Model No.	A	B	C	E	F	G	H	J	K	L
1/4	AS7000	AS7100	AP032B	.45	2.50	1.65	3.42	.79	4.21	4.61	2.31	F03	.35
3/8	AS7001	AS7101	AP032B	.50	2.50	1.65	3.42	.79	4.21	4.61	2.31	F03	.35
1/2	AS7002	AS7102	AP032B	.59	2.62	1.65	3.42	.79	4.21	4.61	2.31	F03	.35
3/4	AS7003	AS7103	AP050AB	.79	3.00	1.89	4.52	.79	5.31	5.43	2.72	F03	.35
1	AS7004	AS7104	AP050B	.99	3.38	2.23	4.86	.79	5.65	5.43	2.72	F04	.43
1-1/4	AS7005	AS7105	AP063A	1.26	4.06	2.40	5.67	.79	6.46	6.12	3.06	F04	.43
1-1/2	AS7006	AS7106	AP075A	1.50	4.68	3.05	6.99	.79	7.78	8.27	4.14	F07	.55
2	AS7007	AS7107	AP075A	1.97	5.17	3.36	7.30	.79	8.09	8.27	4.14	F07	.55
2-1/2	AS7008	AS7108	AP100B	2.56	6.46	4.28	9.20	.79	9.99	11.04	5.52	F10	.67
3	AS7009	AS7109	AP115	3.15	7.19	4.63	10.23	1.18	11.02	12.20	6.10	F10	.67

SPRING RETURN (Dimensions in inches)

Valve Size	Assembly No w/Thread. Ends	Assembly No. w/SW Ends	Actuator Model No.	A	B	C	E	F	G	H	J	K	L
1/4	AS7010	AS7110	AP050AB	.45	2.50	1.65	4.28	.79	5.07	5.43	2.72	F04	.35
3/8	AS7011	AS7111	AP050AB	.50	2.50	1.65	4.28	.79	5.07	5.43	2.72	F04	.35
1/2	AS7012	AS7112	AP050AB	.59	2.62	1.65	4.28	.79	5.07	5.43	2.72	F04	.35
3/4	AS7013	AS7113	AP063AB	.79	3.00	1.89	5.16	.79	5.95	6.12	3.06	F04	.35
1	AS7014	AS7114	AP063A	.99	3.38	2.23	5.50	.79	6.29	6.12	3.06	F04	.43
1-1/4	AS7015	AS7115	AP075A	1.26	4.06	2.40	6.34	.79	7.13	8.27	4.14	F05	.55
1-1/2	AS7016	AS7116	AP085A	1.50	4.68	3.05	7.38	.79	8.17	8.97	4.49	F07	.55
2	AS7017	AS7117	AP100A	1.97	5.17	3.36	8.28	.79	9.07	11.04	5.52	F07	.55
2-1/2	AS7018	AS7118	AP115	2.56	6.46	4.28	9.88	1.18	11.06	12.20	6.10	F10	.67
3	AS7019	AS7119	AP145	3.15	7.19	4.63	11.52	1.18	12.31	15.35	7.68	F10	.67

