

# DURAVALVE MODEL DM 240 BALL VALVE

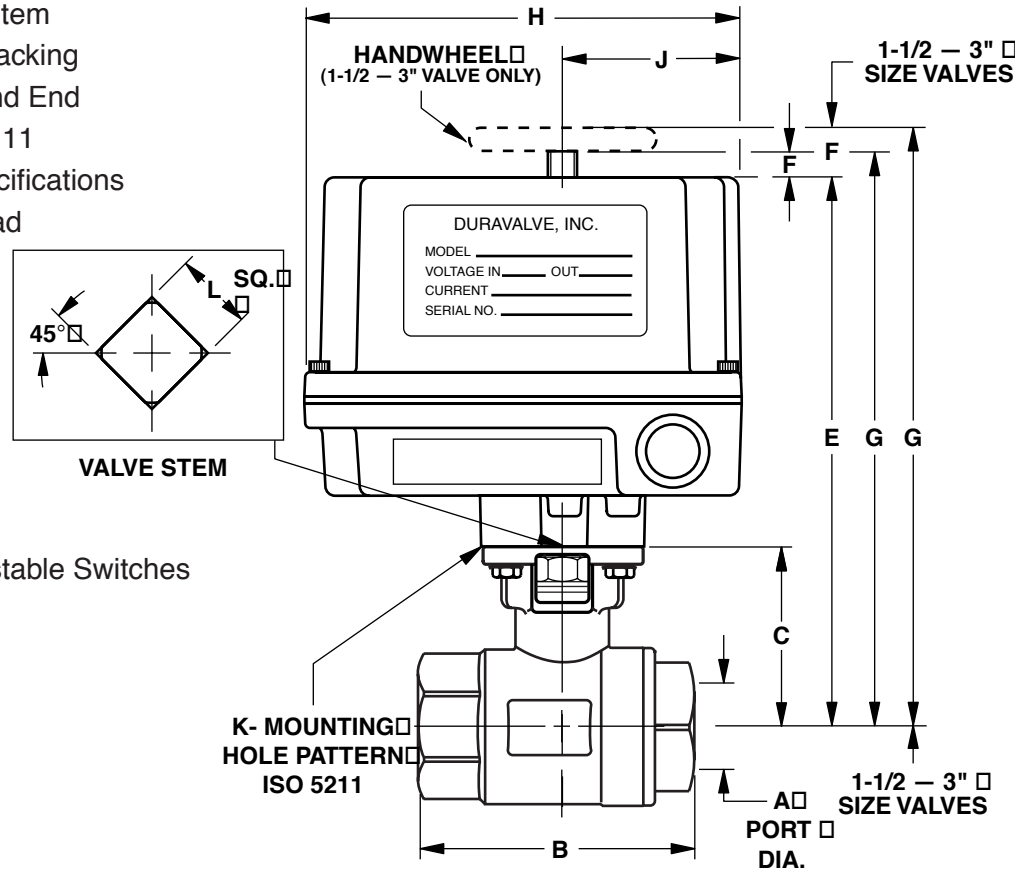
## with Electric Actuator

### VALVE FEATURES

- Internal Entry Anti-Blowout Stem
- Adjustable Vee Style Stem Packing
- Stainless Steel Cast Body and End
- Threaded Ends to ANSI B16.11
- Meets WW-V-35 Design Specifications
- ISO 5211 Direct Mounting Pad

### ACTUATOR FEATURES

- ISO 5211 Mounting Pattern
- Heavy Duty Gears
- Permanently Lubricated
- 2 SPDT Independently Adjustable Switches
- Thermal Overload Protection
- 6 Position Terminal Strip
- Wired for Light Indication



(Dimensions in inches)

Valve Size	Assembly No	Actuator Model No.	A	B	C	E	F	G	H	J	K	L
1/2	EA7202	DR-2A	.59	2.56	1.52	6.27	.38	6.65	5.63	2.31	F03	.35
3/4	EA7203	DR-2A	.79	2.93	1.82	6.57	.38	6.95	5.63	2.31	F03	.35
1	EA7204	DR-2B	.99	3.46	2.23	6.98	.38	7.36	5.63	2.31	F04	.43
1-1/4	EA7205	DSX-5	1.26	4.02	2.40	7.78	.50	8.28	6.88	4.45	F05	.43
1-1/2	EA7206	DSH-10	1.49	4.33	3.00	9.74	1.25	10.99	7.00	4.62	F07	.55
2	EA7207	DMR-15	1.93	4.93	3.31	10.05	1.25	11.30	7.00	4.62	F07	.55
2-1/2	EA7208	DML-15	2.56	6.32	4.28	11.02	1.25	12.27	7.00	4.62	F07	.67
3	EA7209	DMH-30	3.15	7.00	4.62	11.36	1.25	12.61	7.00	4.62	F07	.67

